

FOCOLARI A PELLETT

Praticità, semplicità di impiego, facile manutenzione ed alti rendimenti caratterizzano e contraddistinguono i focolari a pellet MP. Il design è lineare e la particolare costruzione garantisce una notevole flessibilità di installazione. Gli alti rendimenti, ed una ricca dotazione di serie, offrono innumerevoli possibilità di impiego.

FR Monoblocs à granulés

Commodité, simplicité d'utilisation, entretien facile et hauts rendements sont les signes distinctifs des monoblocs à granulés MP. Le design linéaire et la fabrication particulière garantissent une grande souplesse d'installation. Avec ses hauts rendements et son excellent équipement de série, la série MP offre une foule de possibilités.

DE Pellet-heizeinsätze

Zweckmäßigkeit, einfache Bedienung und Wartung sowie hohe Wirkungsgrade zeichnen die Pellet-Heizeinsätze MP aus. Das Design ist linear, die spezielle Konstruktion bietet beträchtliche Installationsflexibilität. Hohe Wirkungsgrade und reichhaltige Serienausstattung bieten mit der Baureihe MP unzählige Einsatzmöglichkeiten.

EN Pellet-burning fireboxes

Practicality, ease of use, straightforward maintenance and high performances distinguish the MP pellet-burning fireboxes. Their linear profile and special design guarantee considerable installation flexibility. The MP range can be used in countless ways thanks to its high performances and rich assortment of standard features.

NL Vuurhaarden op pellets

Praktisch, gebruiksvriendelijk, eenvoudig onderhoud en een hoog rendement kenmerken en onderscheiden de pellet-monoblokken MP. Het ontwerp is lineair en de bijzondere constructie zorgt voor flexibiliteit bij de installatie. Dankzij de hoge rendementen en uitgebreide standaardvoorzieningen biedt de serie MP ontelbare gebruiksmogelijkheden.

ES Monobloques de pellets

Comodidad, sencillez de uso, fácil mantenimiento y alto rendimiento son las características de los monobloques de pellets MP. El diseño es lineal y la construcción especial garantiza una apreciable flexibilidad de instalación. Los altos rendimientos y una rica dotación de serie ofrecen incontables posibilidades de uso.



MP 6



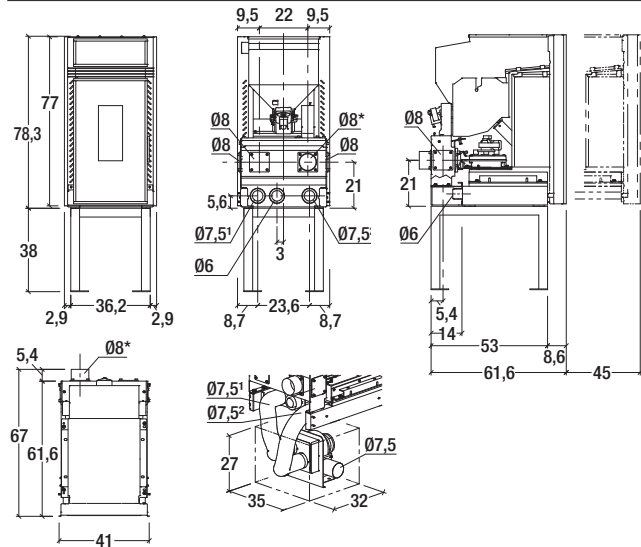
Energy class		A+
Type		YP170-01
Room heating capacity	m ³	105 - 175
Nominal heat output	kW	2,9 - 6,1
Thermal efficiency	%	89,6 - 90,7
Nominal consumption	kg/h	0,6 - 1,3
Hopper capacity	kg	18
Level Power	n.	4
Flue diameter	cm	8
Weight	kg	120
Dimensions	cm	41x67x116,3

MAIN FEATURES



GENERAL CHARACTERISTICS

- Steel firebox
- Cast-Iron firebox
- Steel brazier
- Remote control LCD
- Programming
- Digital display
- OPTIONAL
- Flue side



Model: MP 6

Rivestimenti disponibili - Available surrounds P.96

MP 7



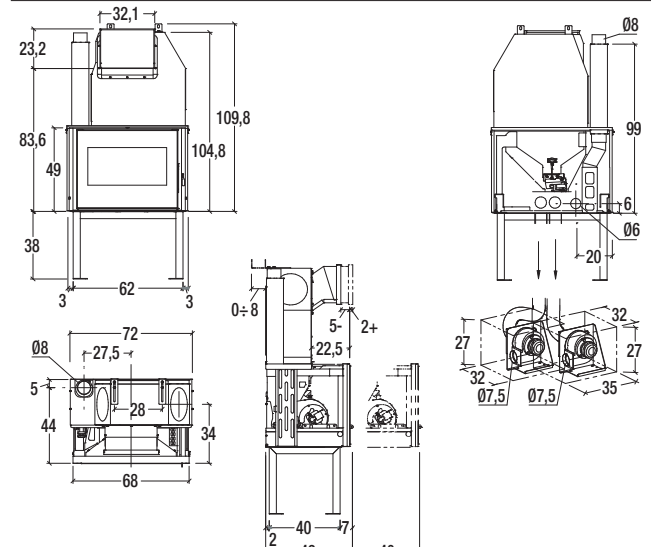
Energy class		A+
Type		YP103-03
Room heating capacity	m ³	120 - 200
Nominal heat output	kW	3,5 - 7,0
Thermal efficiency	%	87,5 - 87,4
Nominal consumption	kg/h	0,8 - 1,6
Hopper capacity	kg	8 - 45
Level Power	n.	5
Flue diameter	cm	8
Weight	kg	115
Dimensions	cm	68x49x147,8

MAIN FEATURES



GENERAL CHARACTERISTICS

- Steel firebox
- Cast-Iron firebox
- Steel brazier
- Remote control LCD
- Programming
- Digital display
- Vacuum
- External air kit
- OPTIONAL
- Flue side



Model: MP 7

Rivestimenti disponibili - Available surrounds P.96

MP 9



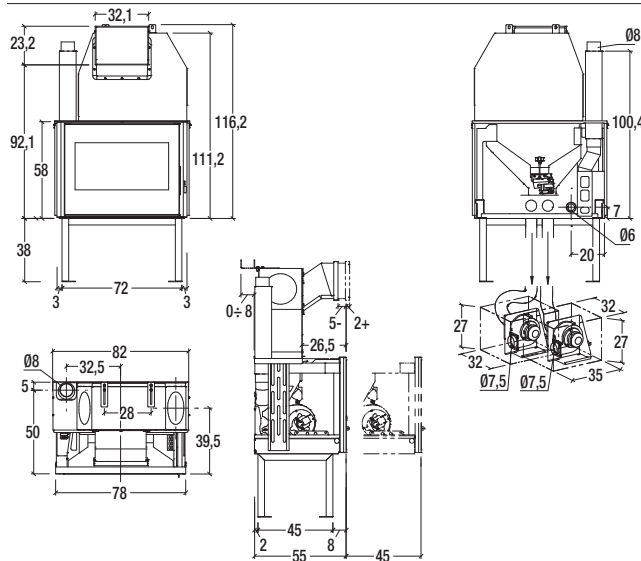
Energy class		A+
Type		YP113-03
Room heating capacity	m ³	145 - 250
Nominal heat output	kW	4,3 - 8,7
Thermal efficiency	%	87,2 - 88,0
Nominal consumption	kg/h	1,0 - 2,0
Hopper capacity	kg	13 - 52
Level Power	n.	5
Flue diameter	cm	8
Weight	kg	150
Dimensions	cm	78x55x154,2

MAIN FEATURES



GENERAL CHARACTERISTICS

- Steel firebox
- Cast-Iron firebox
- Steel brazier
- Remote control LCD
- Programming
- Digital display
- Vacuum
- External air kit
- Flue side



Rivestimenti disponibili - Available surrounds P.96

PIAZZETTA

MP 11



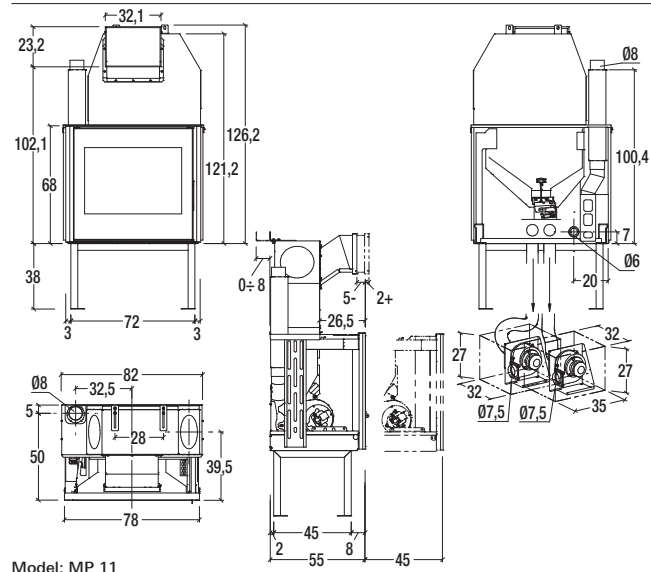
Energy class		A+
Type		YP115-03
Room heating capacity	m ³	175 - 300
Nominal heat output	kW	5,1 - 10,5
Thermal efficiency	%	85,3 - 88,2
Nominal consumption	kg/h	1,2 - 2,4
Hopper capacity	kg	22 - 61
Level Power	n.	5
Flue diameter	cm	8
Weight	kg	173
Dimensions	cm	78x55x164,2

MAIN FEATURES



GENERAL CHARACTERISTICS

- Steel firebox
- Cast-Iron firebox
- Steel brazier
- Remote control LCD
- Programming
- Digital display
- Vacuum
- External air kit
- Flue side



Rivestimenti disponibili - Available surrounds P.96



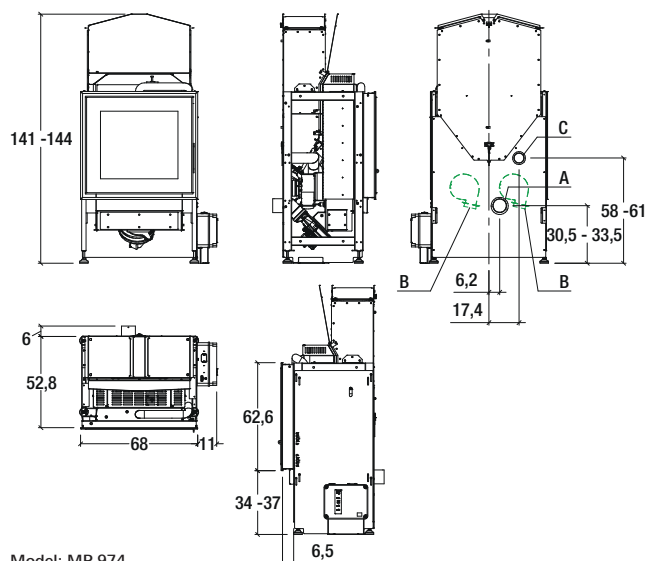
Energy class		A+
Type		SP480-01
Room heating capacity	m ³	235 - 400
Nominal heat output	kW	4,3 - 14,0
Thermal efficiency	%	86,8 - 90,1
Nominal consumption	kg/h	1,0 - 3,1
Hopper capacity	kg	58
Level Power	n.	5
Flue diameter	cm	8
Weight	kg	170
Dimensions	cm	68x53x144

MAIN FEATURES



GENERAL CHARACTERISTICS

- Steel firebox
- Cast-Iron firebox
- Steel brazier
- Remote control LCD
- Programming
- Vacuum
- OPTIONAL
- Flue side



Model: MP 974

Rivestimenti disponibili - Available surrounds P.96

Rivestimenti





INSERTI A PELLETT

Gli inserti a pellet IP permettono di trasformare il caminetto tradizionale aperto in un pratico ed efficiente caminetto garantendo tutto il piacere della fiamma. Alti rendimenti, lunga autonomia, accensione e spegnimento automatici programmabili contraddistinguono gli inserti a pellet Piazzetta: ideali anche per prime installazioni.

FR Inserts à granulés

Avec les inserts à granulés IP, transformez votre cheminée ouverte en une cheminée pratique et efficace, tout en conservant le plaisir de la flamme. Hauts rendements, longue autonomie, allumage et extinction automatiques programmables sont les atouts des inserts à granulés Piazzetta : parfaits aussi pour une première installation.

DE Pellet-kamineinsätze

Mit den Pellet-Einsätzen der Baureihe IP verwandelt sich ein herkömmlicher offener Kamin in eine praktische, effiziente Feuerstätte, die dennoch den Genuss des Kaminfeuers bietet. Hohe Wirkungsgrade, lange Autonomie, programmierbares Ein- und Ausschalten zeichnen Piazzetta Pellet-Einsätze aus - auch als Erstinstallationen ideal.

EN Pellet-burning inserts

The IP pellet-burning inserts allow for transforming a traditional open fireplace into a practical, efficient fireplace guaranteeing all the pleasure of the flame. High performance, extended autonomy, and programmable automatic switching on/off characterise the Piazzetta pellet-burning inserts: ideal also for first-time installation.

NL Pellet-inzetstukken

Met de pellet-inzetstukken IP kan een traditionele open haard worden getransformeerd in een praktische en efficiënte haard met de aangename sfeer van het vuur. Een hoog rendement, lange autonomie, programmeerbare automatische in- en uitschakeling onderscheiden de pellet-inzetstukken van Piazzetta: ook ideaal voor een eerste installatie.

ES Hogares de pellets

Los hogares de pellets IP transforman la chimenea tradicional abierta en una chimenea práctica y eficiente garantizando todo el placer de la llama. Altos rendimientos, larga autonomía, encendido y apagado automáticos programables son las características de los hogares de pellets Piazzetta: ideales también para primeras instalaciones.



IP 6 M



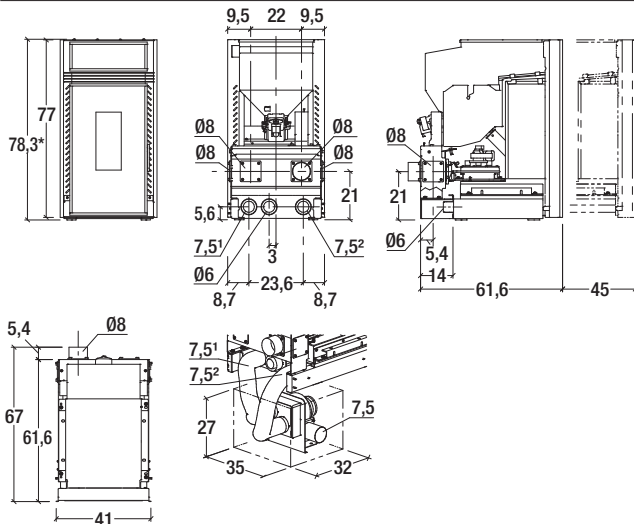
Energy class		A+
Type		YP170-01
Room heating capacity	m ³	105 - 175
Nominal heat output	kW	2,9 - 6,1
Thermal efficiency	%	89,6 - 90,7
Nominal consumption	kg/h	0,6 - 1,3
Hopper capacity	kg	18
Level Power	n.	4
Flue diameter	cm	8
Weight	kg	108
Dimensions	cm	41x67x78,3

MAIN FEATURES



GENERAL CHARACTERISTICS

- Steel firebox
- Cast iron fireplace
- Steel brazier
- Remote control LCD
- OPTIONAL
- Adjustable feet



Model: IP 6 M

* Altezza con cassetto carico pellet optional.
Height with optional loading drawer.

Rivestimenti disponibili - Available surrounds P.96

IP 7 M



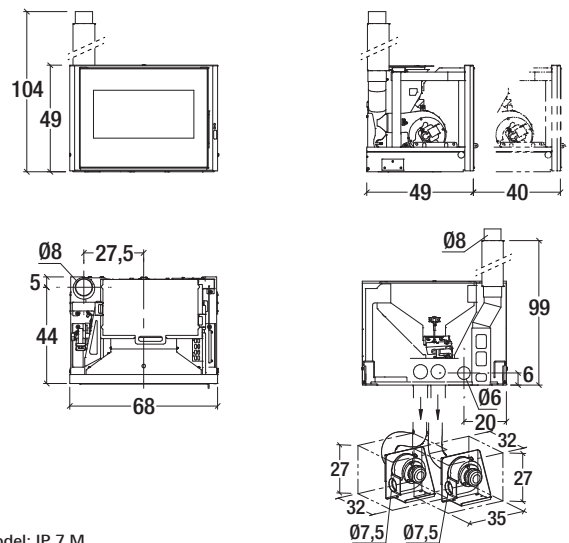
Energy class		A+
Type		YP103-03
Room heating capacity	m ³	120 - 200
Nominal heat output	kW	3,5 - 7,0
Thermal efficiency	%	87,5 - 87,4
Nominal consumption	kg/h	0,8 - 1,6
Hopper capacity	kg	8
Level Power	n.	4
Flue diameter	cm	8
Weight	kg	113
Dimensions	cm	68x49x104

MAIN FEATURES



GENERAL CHARACTERISTICS

- Steel firebox
- Cast iron fireplace
- Steel brazier
- Digital display
- Remote control LCD
- Ash box
- OPTIONAL
- Adjustable feet



Model: IP 7 M

Rivestimenti disponibili - Available surrounds P.96

IP 9 M



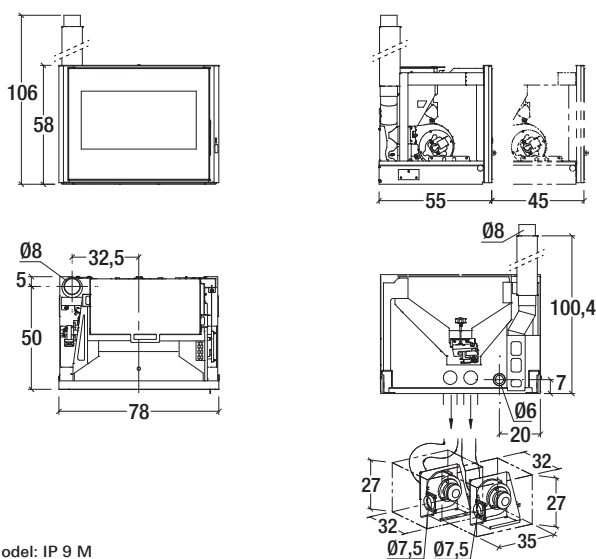
Energy class		A+
Type		YP113-03
Room heating capacity	m ³	145 - 250
Nominal heat output	kW	4,3 - 8,7
Thermal efficiency	%	87,2 - 88,0
Nominal consumption	kg/h	1,0 - 2,0
Hopper capacity	kg	13
Level Power	n.	5
Flue diameter	cm	8
Weight	kg	143
Dimensions	cm	78x55x106

MAIN FEATURES



GENERAL CHARACTERISTICS

- Steel firebox
- Cast iron fireplace
- Steel brazier
- Digital display
- Remote control LCD
- Ash box
- OPTIONAL
- Adjustable feet



Model: IP 9 M

Rivestimenti disponibili - Available surrounds P.96

PIAZZETTA

IP 11 M



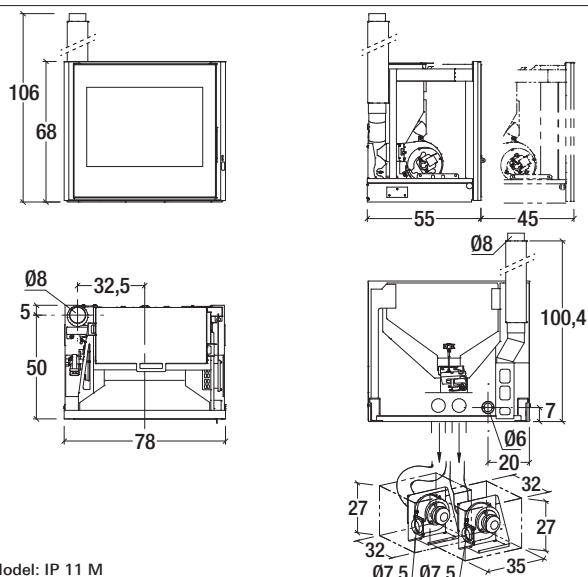
Energy class		A+
Type		YP115-03
Room heating capacity	m ³	175 - 300
Nominal heat output	kW	5,1 - 10,5
Thermal efficiency	%	85,3 - 88,2
Nominal consumption	kg/h	1,2 - 2,4
Hopper capacity	kg	22
Level Power	n.	5
Flue diameter	cm	8
Weight	kg	154
Dimensions	cm	78x55x106

MAIN FEATURES



GENERAL CHARACTERISTICS

- Steel firebox
- Cast iron fireplace
- Steel brazier
- Digital display
- Remote control LCD
- Ash box
- OPTIONAL
- Adjustable feet



Model: IP 11 M

Rivestimenti disponibili - Available surrounds P.96

IP 7 Cast iron door



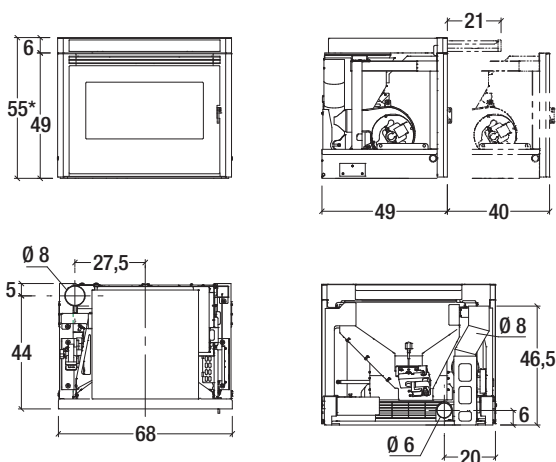
Energy class		A+
Type		YP103-01
Room heating capacity	m ³	120 - 200
Nominal heat output	kW	3,5 - 7,0
Thermal efficiency	%	88,3 - 87,4
Nominal consumption	kg/h	0,8 - 1,6
Hopper capacity	kg	8
Level Power	n.	4
Flue diameter	cm	8
Weight	kg	100
Dimensions	cm	68x49x55

MAIN FEATURES



GENERAL CHARACTERISTICS

- Digital display
- Steel firebox
- Cast iron fireplace
- Steel brazier
- Fuel level sensor
- Wired in control
- OPTIONAL
- Adjustable feet



Model: IP 7

* Altezza con cassetto carico pellet optional.
Height with optional loading drawer.

Rivestimenti disponibili - Available surrounds P.96

IP 9 Cast iron door



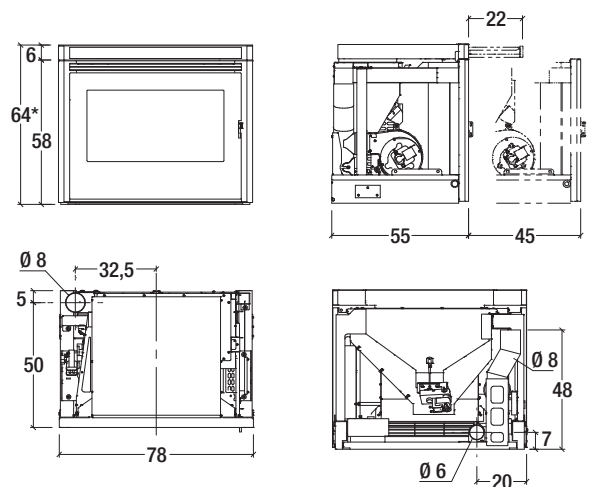
Energy class		A+
Type		YP113-01
Room heating capacity	m ³	150 - 260
Nominal heat output	kW	4,5 - 9,0
Thermal efficiency	%	88,4 - 87,3
Nominal consumption	kg/h	1,0 - 2,1
Hopper capacity	kg	13
Level Power	n.	5
Flue diameter	cm	8
Weight	kg	140
Dimensions	cm	78x55x64

MAIN FEATURES



GENERAL CHARACTERISTICS

- Digital display
- Steel firebox
- Cast iron fireplace
- Steel brazier
- Fuel level sensor
- Wired in control
- OPTIONAL
- Adjustable feet



Model: IP 9

* Altezza con cassetto carico pellet optional.
Height with optional loading drawer.

Rivestimenti disponibili - Available surrounds P.96

IP 11 Cast iron door



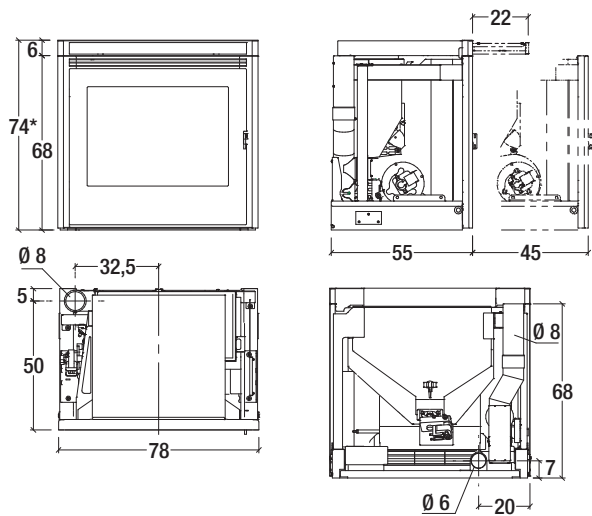
Energy class		A+
Type		YP115-01
Room heating capacity	m ³	185 - 315
Nominal heat output	kW	4,6 - 11,0
Thermal efficiency	%	87,7 - 87,3
Nominal consumption	kg/h	1,0 - 2,6
Hopper capacity	kg	22
Level Power	n.	5
Flue diameter	cm	8
Weight	kg	150
Dimensions	cm	78x55x74

MAIN FEATURES



GENERAL CHARACTERISTICS

- Digital display
- Steel firebox
- Cast iron fireplace
- Steel brazier
- Fuel level sensor
- Wired in control
- OPTIONAL
- Adjustable feet



* Altezza con cassetto carico pellet optional.
Height with optional loading drawer.

Model: IP 11

Rivestimenti disponibili - Available surrounds P.96

PIAZZETTA

IP 7 Frameless door



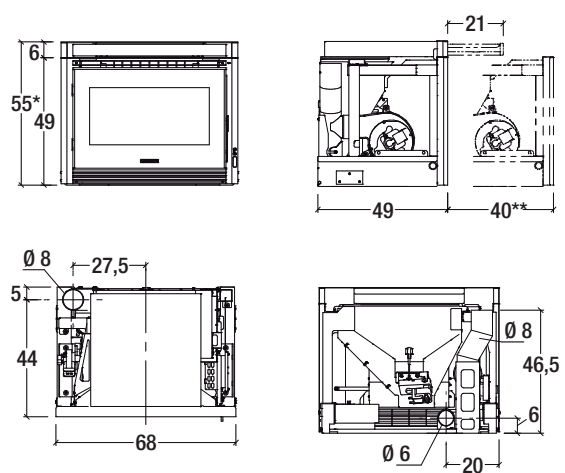
Energy class		A+
Type		YP103-02
Room heating capacity	m ³	120 - 200
Nominal heat output	kW	3,5 - 7,0
Thermal efficiency	%	88,3 - 87,4
Nominal consumption	kg/h	0,8 - 1,6
Hopper capacity	kg	8
Level Power	n.	4
Flue diameter	cm	8
Weight	kg	115
Dimensions	cm	68x49x55

MAIN FEATURES



GENERAL CHARACTERISTICS

- Digital display
- Steel firebox
- Cast iron fireplace
- Steel brazier
- Fuel level sensor
- Remote control LCD
- OPTIONAL
- Adjustable feet



* Altezza con cassetto carico pellet optional.
Height with optional loading drawer.

Model: IP 7 G

Rivestimenti disponibili - Available surrounds P.96

IP 9 Frameless door



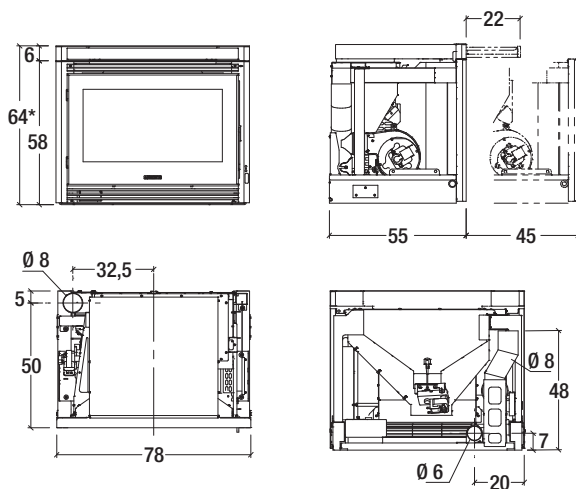
Energy class		A+
Type		YP113-02
Room heating capacity	m ³	150 - 260
Nominal heat output	kW	4,5 - 9,0
Thermal efficiency	%	88,4 - 87,3
Nominal consumption	kg/h	1,0 - 2,1
Hopper capacity	kg	13
Level Power	n.	5
Flue diameter	cm	8
Weight	kg	150
Dimensions	cm	78x55x64

MAIN FEATURES



GENERAL CHARACTERISTICS

- Digital display
- Steel firebox
- Cast iron fireplace
- Steel brazier
- Fuel level sensor
- Remote control LCD
- OPTIONAL
- Adjustable feet



Model: IP 9 G

* Altezza con cassetto carico pellet optional.
Height with optional loading drawer.

Rivestimenti disponibili - Available surrounds P.96

IP 11 Frameless door



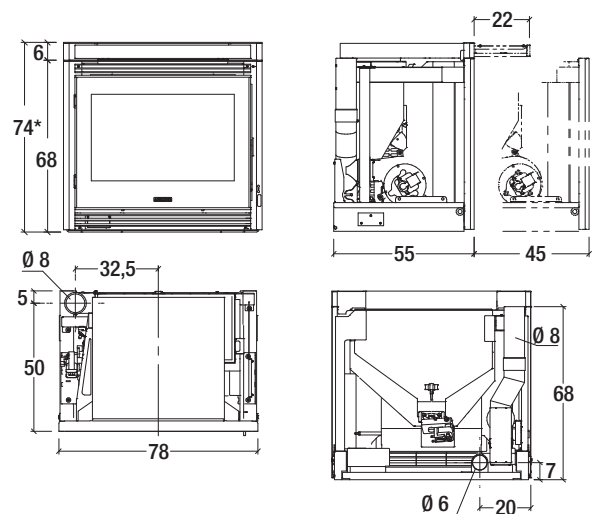
Energy class		A+
Type		YP115-02
Room heating capacity	m ³	185 - 315
Nominal heat output	kW	4,6 - 11,0
Thermal efficiency	%	87,7 - 87,3
Nominal consumption	kg/h	1,0 - 2,6
Hopper capacity	kg	22
Level Power	n.	5
Flue diameter	cm	8
Weight	kg	160
Dimensions	cm	78x55x74

MAIN FEATURES



GENERAL CHARACTERISTICS

- Digital display
- Steel firebox
- Cast iron fireplace
- Steel brazier
- Fuel level sensor
- Remote control LCD
- OPTIONAL
- Adjustable feet



Model: IP 11 G

* Altezza con cassetto carico pellet optional.
Height with optional loading drawer.

Rivestimenti disponibili - Available surrounds P.96